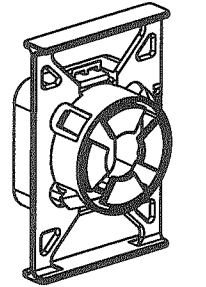
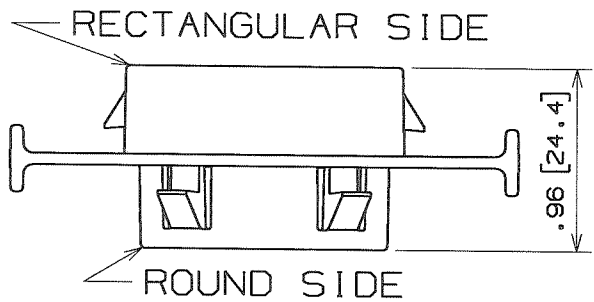
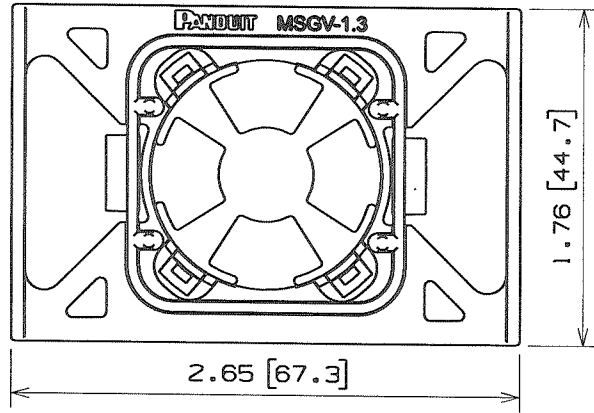


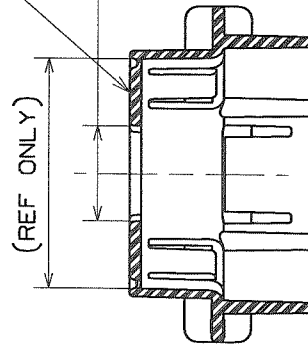
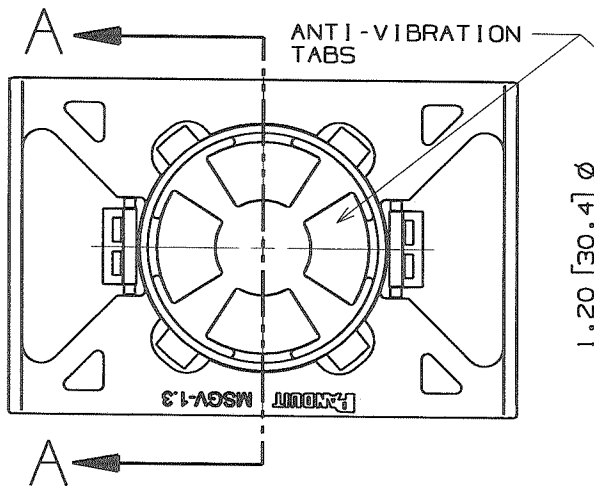
THIS COPY IS PROVIDED ON A RESTRICTED BASIS AND IS NOT TO BE USED IN ANY WAY DETRIMENTAL TO THE INTERESTS OF PANDUIT CORP.

NOTES:

1. SEE CURRENT PRICE SHEET FOR PART NUMBER SUFFIX DESIGNATION FOR PACKAGE SIZE.
2. PART CAN BE INSTALLED INTO "ROUND" OR "RECTANGULAR" PUNCHOUTS IN STEEL STUDS WITH MATERIAL THICKNESS UP TO 0.080".
3. PART SUITABLE FOR USE IN HOLES PUNCHED WITH PANDUIT PART #MSPT-1.3.
4. ANTI-VIBRATION TABS ARE INTENDED FOR USE WITH CONDUIT, OR PIPE, FROM 1/2" TO 1" OD.

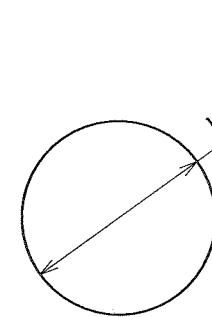


ISOMETRIC VIEW
SCALE 1:2



SECTION A-A

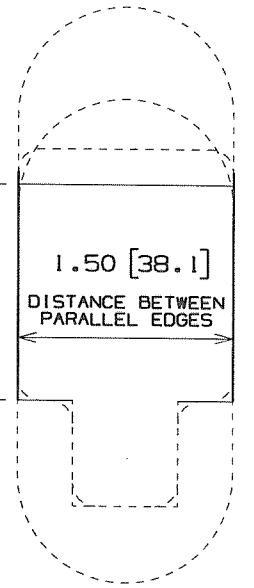
APPLICABLE PUNCHOUT SHAPES (SCALE 3:4)



ROUND PUNCHOUT

1.50 [38.1]
MIN

MINIMUM LENGTH OF STRAIGHT, PARALLEL EDGES



RECTANGULAR PUNCHOUTS

DIMENSIONS IN BRACKETS ARE METRIC [mm]

CAO FILENAME/LAYERS

G03677BF_DC_GB3677BF/05A

PANDUIT

CORP.

TINLEY PARK, ILLINOIS

MSGV-1.3

METAL STUD GROMMET w/ ANTI-VIBRATION

UNLESS OTHERWISE SPECIFIED, DIMENSIONAL TOLERANCES ARE:

(.X) ±0.05 [1.3] (.XXX) ±0.010 [0.25]
(.XX) ±0.02 [0.5] ANGLES ±5°

UNLESS OTHERWISE SPECIFIED, ALL DIMENSIONS ARE GIVEN IN INCHES, THIRD ANGLE PROJECTION.

DRAWN BY

ARHA

MAT'L:

POLYPROPYLENE

SCALE

1:1

DATE

12-07-09

DRAWING NO.

GB3677BF

CHK'D

KCN

(YELLOW)

DWG

A

SIZE

05A	12/07/09	ARHA	<i>ARHA</i>	INITIAL RELEASE	GB3677BF	05A	<i>KCN</i>		
REV	DATE	BY	CHK	DESCRIPTION	ECN	R	CUST	SUP	