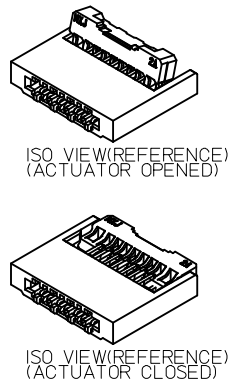
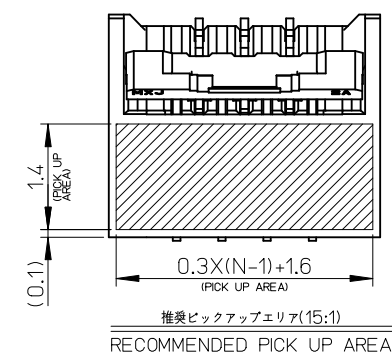
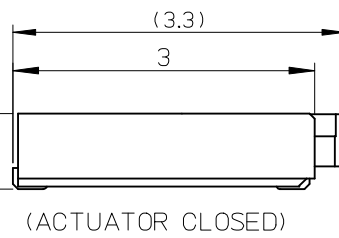
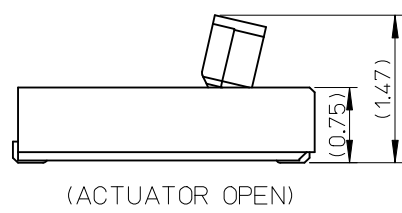
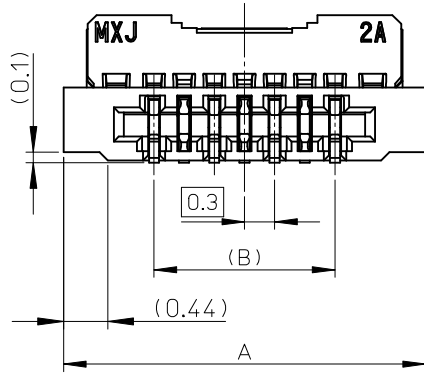


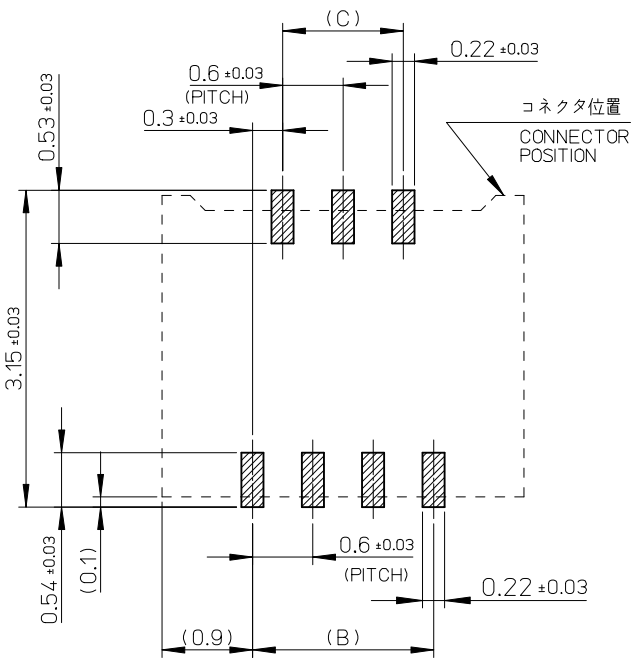
注記 NOTES:  
 1.材質 MATERIAL  
 ハウジング: 液晶ポリマー(LCP)、黒色、ガラス充填、UL94\_V-0  
 HOUSING: LIQUID CRYSTAL POLYMER, BLACK, GLASS FILLED, UL94\_V-0  
 アクチュエータ: ポリアミド樹脂(PA)、灰色、ガラス充填、UL94-HB  
 ACTUATOR: POLYAMIDE, GRAY, GLASS FILLED, UL94\_HB  
 奇数ターミナル: 銅合金 (t=0.10)  
 ODD TERMINAL: COPPER ALLOY (t=0.10)  
 偶数ターミナル: 銅合金 (t=0.10)  
 EVEN TERMINAL: COPPER ALLOY (t=0.10)  
 2.めっき仕様 PLATING  
 奇数/偶数ターミナル ODD/EVEN TERMINAL  
 接点部: 部分金めっき(0.1μm以上)  
 CONTACT AREA: SEPARATED GOLD PLATING (0.1 MICROMETER MINIMUM)  
 半田付け部: 部分金めっき  
 SOLDER TAIL AREA: SEPARATED GOLD PLATING  
 下地: ニッケルめっき(1.0μm以上)  
 UNDERPLATE: NICKEL PLATING(1.0 MICROMETER MINIMUM)  
 3.平坦度は、0.1ミリ以下とする。  
 TAILS' COPLANARITY TO BE 0.1 MAXIMUM.  
 4.ELV及びRoHS適合品  
 ELV AND RoHS COMPLIANT



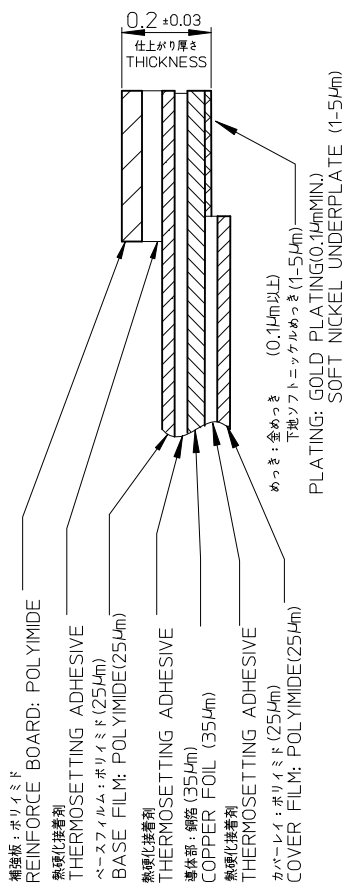
18.6	17.4	18	19.8	504754-6120	61
15.6	14.4	15	16.8	504754-5120	51
12.6	11.4	12	13.8	504754-4120	41
12.0	10.8	11.4	13.2	504754-3920	39
11.4	10.2	10.8	12.6	504754-3720	37
10.8	9.6	10.2	12.0	504754-3520	35
10.2	9	9.6	11.4	504754-3320	33
9.6	8.4	9	10.8	504754-3120	31
7.8	6.6	7.2	9	504754-2520	25
6.6	5.4	6	7.8	504754-2120	21
4.8	3.6	4.2	6	504754-1520	15
3.6	2.4	3	4.8	504754-1120	11
3	1.8	2.4	4.2	504754-0920	9
2.4	1.2	1.8	3.6	504754-0720	7
D	C	B	A	EMBOSSED PACKAGE	CIRCUITS
				オーダー番号:ORDER NO.	

CONNECTOR SERIES : 504754-\*\*29

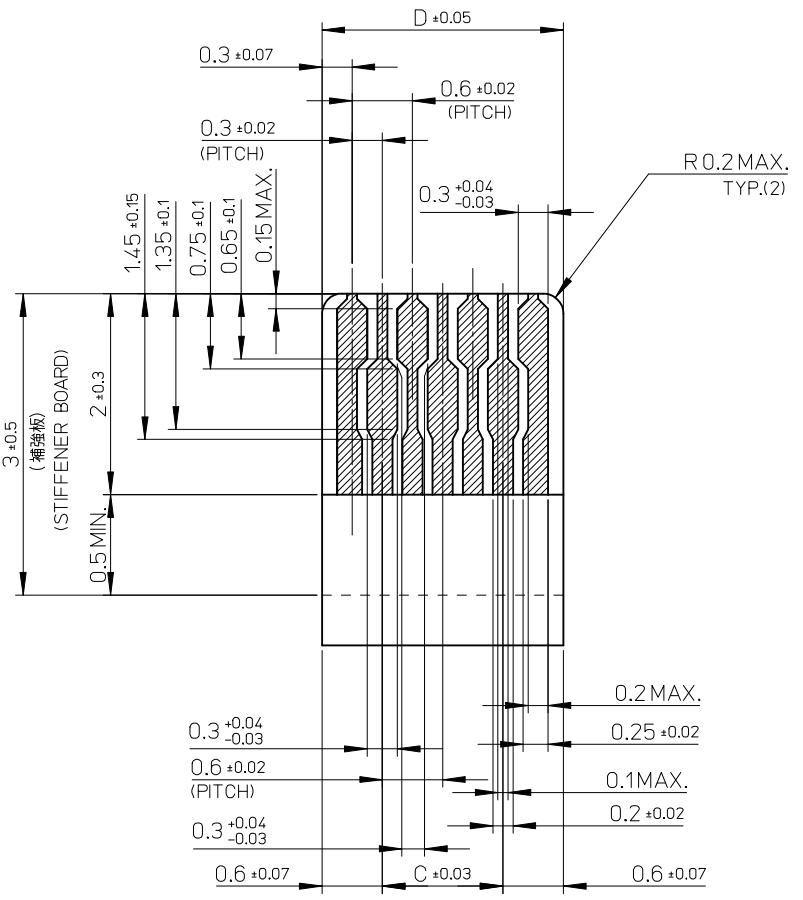
REVISED EC NO: J2016-0484 T1 DRW:AYOSHI 2015/11/10 CHKD:YKOBAYASHI 022015/11/10 APPR:YNOGAWA 2015/11/12	GENERAL TOLERANCES (UNLESS SPECIFIED)		DIMENSION STYLE		SCALE		DESIGN UNITS		THIRD ANGLE PROJECTION	
	0.25 UNDER ±0.03		MM ONLY		20:1		METRIC		⊙	
	0.25 OVER 0.5 UNDER ±0.05		DRAWN BY DATE		TITLE					
	0.5 OVER 1.0 UNDER ±0.1		AYOSHI I01 2014/01/17		0.3 FPC CONN. BACK FLIP					
	1.0 OVER 10 UNDER ±0.2		CHECKED BY DATE		LA75 SERIES					
10 OVER 30 UNDER ±0.25		YKOBAYASHI I02 2014/01/17		HOUSING ASSY						
30 OVER ±0.3		APPROVED BY DATE		molex						
ANGULAR ±1 °		YNOGAWA 2014/10/31		SEE CHART		DOCUMENT NO.		SHEET NO.		
DRAFT WHERE APPLICABLE MUST REMAIN WITHIN DIMENSIONS		MATERIAL NO.		SD-504754-003				1 OF 2		
		SIZE		THIS DRAWING CONTAINS INFORMATION THAT IS PROPRIETARY TO MOLEX INCORPORATED AND SHOULD NOT BE USED WITHOUT WRITTEN PERMISSION						



推奨基板レイアウト  
 RECOMMENDED P.C.BOARD  
 PATTERN LAYOUT  
 推奨メタルマスク厚さ: 0.1mm  
 RECOMMENDED METAL MASK THICKNESS : 0.1mm  
 推奨開口率 : 70%  
 APERTURE RATE : 70%



FPC構成推奨仕様  
 STRUCTURE OF FPC



適合金メッキFPC推奨寸法  
 仕上がり厚さ : 0.2±0.03  
 APPLICABLE FPC WITH GOLD PLATING  
 RECOMMENDED DIMENSION  
 THICKNESS :0.2±0.03

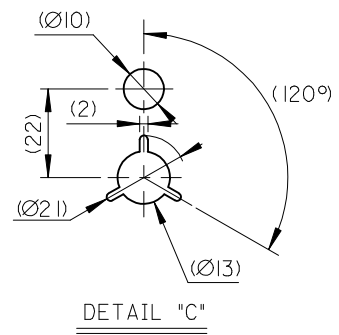
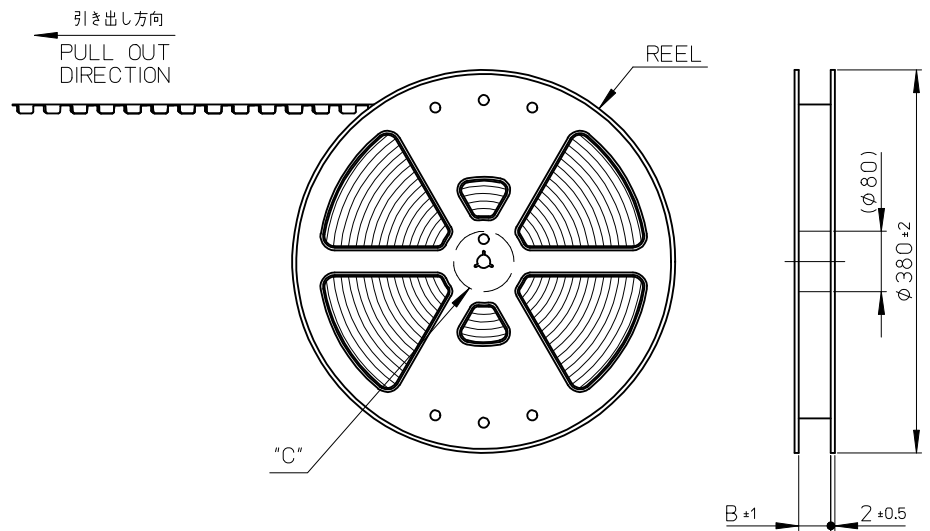
注記  
 NOTE

1. 必ず基板に実装してからアクチュエータを操作して下さい。  
 PLEASE OPERATE THE ACTUATOR AFTER MOUNTING ON THE SUBSTRATE.

2. FPCについて  
 ABOUT FPC  
 補強フィルム材質はポリイミドを推奨します。ベースフィルムは25μmを推奨します。  
 接着剤は熱硬化接着剤を推奨します。  
 RECOMMENDED STIFFENER MATERIAL: POLYIMIDE  
 RECOMMENDED BASE FILM THICKNESS: 25 MICROMETER  
 RECOMMENDED ADHESIVE: THERMOSETTING ADHESIVE  
 NOTE: PLEASE PUT APPROPRIATE AMOUNT OF ADHESIVE ON ADHEREND BECAUSE THERE IS A POSSIBILITY THAT THE EXTRA ADHESIVE CAUSES THE DEFECT IN ELECTRICAL CONTINUITY.

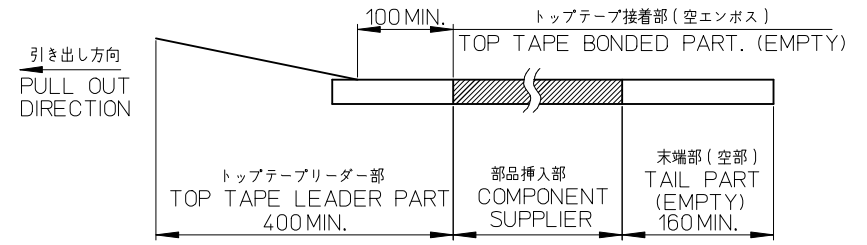
打抜き方向は導体側から補強板側を推奨致します。  
 RECOMMENDED PUNCHER DIRECTION:  
 FROM CONDUCTOR SIDE TO STIFFENER FILM SIDE.

SEE SHEET 1 OF 2 EC NO: J2016-0484 DRAWN: AYOSHI I 01 2015/11/10 CHKD: YKOBAYASHI 02 2015/11/10 APPR: YNOGAWA 2015/11/12	GENERAL TOLERANCES (UNLESS SPECIFIED)		DIMENSION STYLE MM ONLY		SCALE 20:1	DESIGN UNITS METRIC	THIRD ANGLE PROJECTION
	0.25 UNDER	±0.03	DRAWN BY AYOSHI I 01	DATE 2014/01/17	TITLE 0.3 FPC CONN. BACK FLIP LA75 SERIES HOUSING ASSY		
0.25 OVER 0.5 UNDER	±0.05	CHECKED BY YKOBAYASHI 02	DATE 2014/01/17				
0.5 OVER 1.0 UNDER	±0.1	APPROVED BY YNOGAWA	DATE 2014/10/31				
1.0 OVER 10 UNDER	±0.2	MATERIAL NO.		DOCUMENT NO. SD-504754-003	SHEET NO. 2 OF 2		
10 OVER 30 UNDER	±0.25	SEE SHEET 1		THIS DRAWING CONTAINS INFORMATION THAT IS PROPRIETARY TO MOLEX INCORPORATED AND SHOULD NOT BE USED WITHOUT WRITTEN PERMISSION			
30 OVER	±0.3	DRAFT WHERE APPLICABLE MUST REMAIN WITHIN DIMENSIONS					



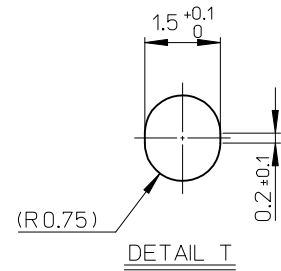
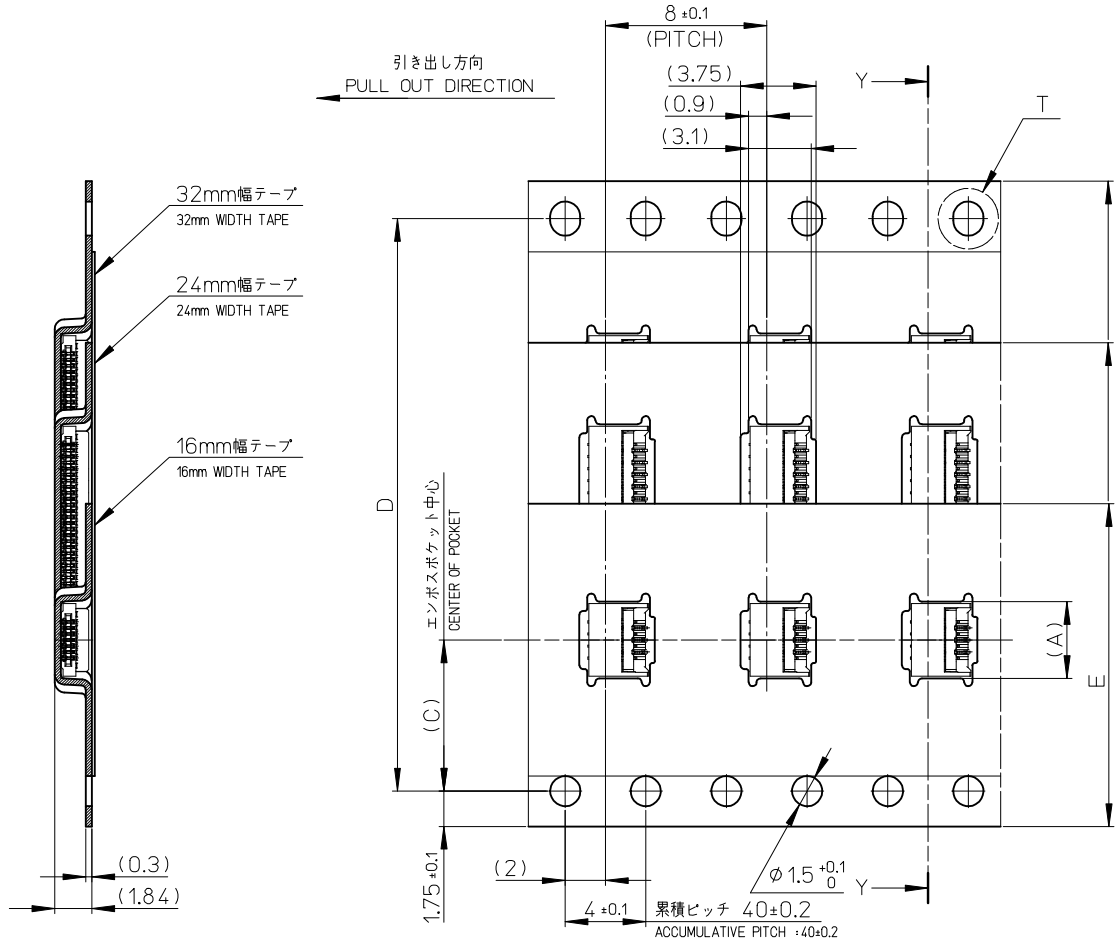
注記 NOTES

- 製品詳細寸法については図面 SD-504754-003 を参照下さい。  
REFER TO THE SD-504754-003 ABOUT DIMENSIONS IN DETAIL.
- 梱包数量：5000個/リール  
NUMBER OF CONNECTORS : 5000 PCS/REEL
- リードテープ長さ LEAD TAPE LENGTH



- 材料 MATERIAL  
 キャリアテープ (CARRIER TAPE) : ポリスチレン (POLYSTYRENE)  
 トップテープ (TOP TAPE) : PET , PE , PEF  
 リール (REEL) : ポリスチレン (PS) <リサイクル材を含む>  
 POLYSTYRENE (PS) <RECYCLE MATERIAL CONTAINED>
- ELV 及び RoHS 適合品  
 ELV AND RoHS COMPLIANT

REVISED EC NO: J2016-0484 DRWN: AYOSHI 2015/11/10 CHKD: YKOBAYASHI 02 2015/11/10 APPR: YNOGAWA 2015/11/12	GENERAL TOLERANCES (UNLESS SPECIFIED)		DIMENSION STYLE MM ONLY		SCALE	DESIGN UNITS METRIC	THIRD ANGLE PROJECTION
	0.25 UNDER	± 0.03	DRAWN BY	DATE	TITLE		
	0.25 OVER 0.5 UNDER	± 0.05	AYOSHI 101	2014/01/17	0.3 FPC CONN. BACK FLIP LA75 SERIES TAPING PACKAGE		
	0.5 OVER 1.0 UNDER	± 0.1	CHECKED BY	DATE			
	1.0 OVER 10 UNDER	± 0.2	YKOBAYASHI 02	2014/01/17			
10 OVER 30 UNDER	± 0.25	APPROVED BY	DATE	MATERIAL NO.	DOCUMENT NO.	SHEET NO.	
30 OVER	± 0.3	YNOGAWA	2015/01/29	SEE CHART	SD-504754-004	1 OF 2	
ANGULAR ±1 °		DRAFT WHERE APPLICABLE MUST REMAIN WITHIN DIMENSIONS		THIS DRAWING CONTAINS INFORMATION THAT IS PROPRIETARY TO MOLEX INCORPORATED AND SHOULD NOT BE USED WITHOUT WRITTEN PERMISSION			



32±0.3	28.4	14.2	33.4	20.0	504754-6120	61	
				17.0	504754-5120	51	
				14.0	504754-4120	41	
				13.4	504754-3920	39	
				12.8	504754-3720	37	
				12.2	504754-3520	35	
				11.6	504754-3320	33	
				11.0	504754-3120	31	
24±0.3	--	11.5	25.4	9.2	504754-2520	25	
				8.0	504754-2120	21	
				6.2	504754-1520	15	
				4.9	504754-1120	11	
				4.3	504754-0920	9	
				3.7	504754-0720	7	
16±0.3	--	7.5	17.4	E キャリアテープ幅 EMBOSSED TAPE WIDTH		D	
				C		B	A
				A		オーダー番号 ORDER NO.	極数 CIRCUITS
				A		オーダー番号 ORDER NO.	極数 CIRCUITS

SECTION Y-Y

SEE SHEET 1 EC NO: J2016-0484 DRWN: AYOSHI 101 2015/11/10 CHKD: YKOBAYASHI 02 2015/11/10 APPR: YNOGAWA 2015/11/12	GENERAL TOLERANCES (UNLESS SPECIFIED)		DIMENSION STYLE		SCALE	DESIGN UNITS	THIRD ANGLE PROJECTION
	0.25 UNDER	±0.03	MM ONLY				
	0.25 OVER 0.5 UNDER	±0.05	DRAWN BY	DATE	TITLE	0.3 FPC CONN. BACK FLIP LA75 SERIES TAPING PACKAGE	
	0.5 OVER 1.0 UNDER	±0.1	AYOSHI 101	2014/01/17			
	1.0 OVER 10 UNDER	±0.2	CHECKED BY	DATE			
10 OVER 30 UNDER	±0.25	YKOBAYASHI 02	2014/01/17	APPROVED BY	DATE	DOCUMENT NO.	SHEET NO.
30 OVER	±0.3	YNOGAWA	2015/01/29	MATERIAL NO.		SD-504754-004	2 OF 2
ANGULAR	±1 °	SEE CHART		THIS DRAWING CONTAINS INFORMATION THAT IS PROPRIETARY TO MOLEX INCORPORATED AND SHOULD NOT BE USED WITHOUT WRITTEN PERMISSION			
DRAFT WHERE APPLICABLE MUST REMAIN WITHIN DIMENSIONS							