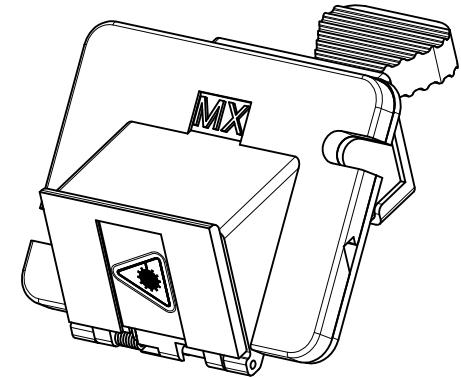


RECOMMENDED MOUNTING PATTERN
SCALE 2.5:1



NOTES:

1. DIMENSIONS SHOWN ARE FOR REFERENCE ONLY.
2. SILICONE GASKET WITH Ag/AI FILLER (SHOWN COMPRESSED) IS SUPPLIED WITH THE PART.
3. OUTER PARTS ARE DIECAST.
4. DUST CAP SHOWN IN ISOMETRIC VIEW ONLY.
5. ADAPTRS TO BE PACKAGED IN TRAY.

ENTER DESCRIPTION EC NO: MF2011-0169 DR:MAN/PEVZNER CHKD: APPR:WCHEN 2010/10/15 2010/10/19	QUALITY SYMBOLS ▽=0 ▽=0	GENERAL TOLERANCES (UNLESS SPECIFIED)		DIMENSION STYLE IN/MM		SCALE 4:1	DESIGN UNITS INCH	THIRD ANGLE PROJECTION	
		4 PLACES ± --- ± ---	3 PLACES ± --- ± ---	DRAWN BY PGI/BLIN	DATE 2005/11/17	TITLE MPO EMI ADAPTER 45 DEGREE 45 DEGREE (SCREW MOUNT)			
		2 PLACES ± --- ± ---	1 PLACE ± --- ± ---	CHECKED BY	DATE	APPROVED BY WCHEN			
		ANGULAR ±1/2°		MATERIAL NO. 1061143000	DATE 2010/10/19	MOLEX INCORPORATED		DOCUMENT NO. SD-106114-3000	SHEET NO. 1 OF 1
DRAFT WHERE APPLICABLE MUST REMAIN WITHIN DIMENSIONS				THIS DRAWING CONTAINS INFORMATION THAT IS PROPRIETARY TO MOLEX INCORPORATED AND SHOULD NOT BE USED WITHOUT WRITTEN PERMISSION					