

SSF216 Series

Extra-long reach external mount float switch with 1" NPT mount



- **Longest reach for thick walled tanks and boss mounting**
- **Float material SS 316, stem material SS 304**
- **External mount via 1" NPT thread, so does not require access to the inside of the tank for fitting.**
- **N/O or N/C switching action**

The SSF216 float switches are externally mounted horizontal switches. This switch has an extra-long reach to provide a solution for extra thick tank walls or for mounting through welded-on 1" NPT bosses.

The 1" NPT thread enables the switches to be fitted through the wall of a tank from the outside, so does not require access to the inside of the tank.

The float switch can be fitted to achieve either N/O (make on rise) or N/C (make on fall) switching action by simply rotating the switch through 180°.

Technical Specification

Mounting style	External
Mounting thread	1" NPT
Float & Stem material	316/304 grade SS
Maximum Temperature	120°C
Maximum pressure	10 bar
Float SG	0.7
Minimum fluid SG	0.8
Tightening torque should be adequate to ensure a good seal	

Electrical Specification

Contact Form	N/O (N/C)	
Switching Power Max	VA	50
Switching Voltage AC Max	V	300
Switching Voltage DC Max	V	300
Switching Current Max	A	0.5

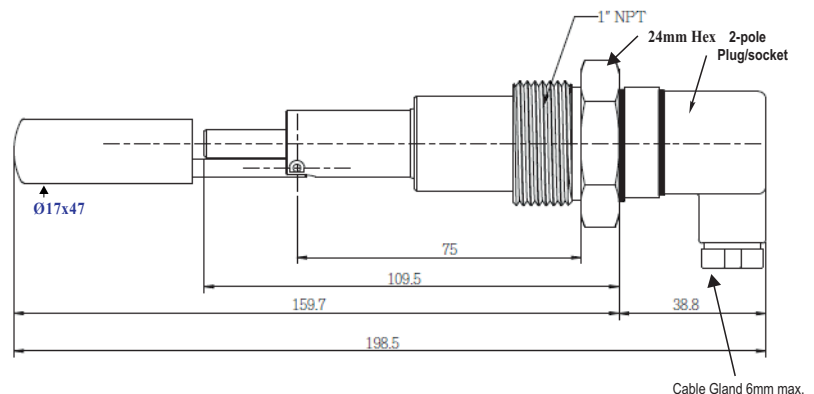
All ratings are for resistive load only.

Standard Parts

Standard Parts	Stem Material	Float Material	Connection
SSF216XPL	SS304	SS316	DIN43650

Custom versions can be made for particular applications. Please contact Cynergy3 with your requirements.

Mechanical Dimensions



Cynergy3 Components Ltd.
 7 Cobham Road
 Ferndown Industrial Estate
 Wimborne, Dorset BH21 7PE
 Telephone: +44 (0) 1202 897969
 Email: sales@cynergy3.com

ISO9001 CERTIFIED

SSF216 2014

www.cynergy3.com