

DESCRIPTION: **994 SERIES ETHERNET STRAIGHT BACKSHELL**

**BACKSHELL KIT INCLUDES:**

- (2) BACKSHELL HALVES
- (2) HOUSING SCREWS
- (2) HOUSING NUTS
- (2) STRAIN RELIEF CLAMPS
- (2) STRAIN RELIEF SCREWS

994-YYY-YYYRYY1

SERIES \_\_\_\_\_

POSITIONS \_\_\_\_\_

009 \_\_\_\_\_

015 \_\_\_\_\_

025 \_\_\_\_\_

MATERIAL \_\_\_\_\_

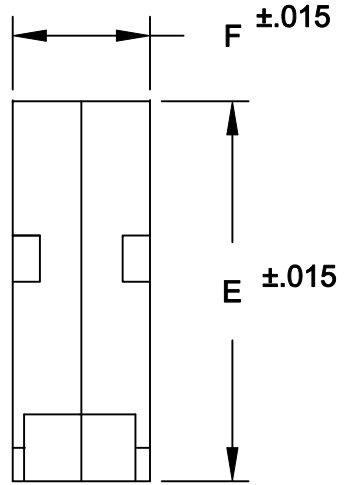
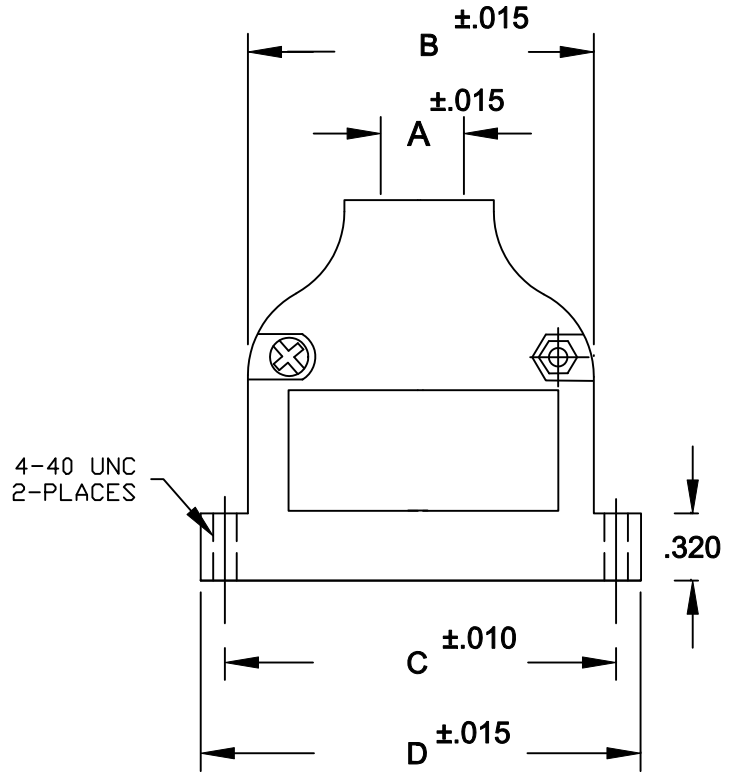
030 = ZINC \_\_\_\_\_

COLOR: \_\_\_\_\_

12 = NICKEL OVER COPPER \_\_\_\_\_

PUT-UPS \_\_\_\_\_

1 = KIT \_\_\_\_\_



SIZE	A	B	C	D	E	F
9 POS	.433	.790	.984	1.244	1.82	.614
15 POS	.433	1.135	1.312	1.575	1.82	.665
25 POS	.433	1.640	1.852	2.106	1.82	.630

**MATERIAL: DIE-CAST ZINC ALLOY**

**NICKEL PLATED**

**RoHS COMPLIANT**

	THESE DRAWINGS AND SPECIFICATIONS ARE THE PROPERTY OF NorComp AND SHALL NOT BE REPRODUCED, COPIED OR USED AS THE BASIS FOR THE MANUFACTURE OR SALE OF APPARATUS WITHOUT WRITTEN PERMISSION.		DRAWN: <b>PAM JENKINS</b>	DATE: <b>9-15-05</b>
				CHECKED:
<b>NorComp</b>		SCALE	SHEET OF	REV <b>3</b>
		DWG NO. <b>994-0YY-030R121</b>		