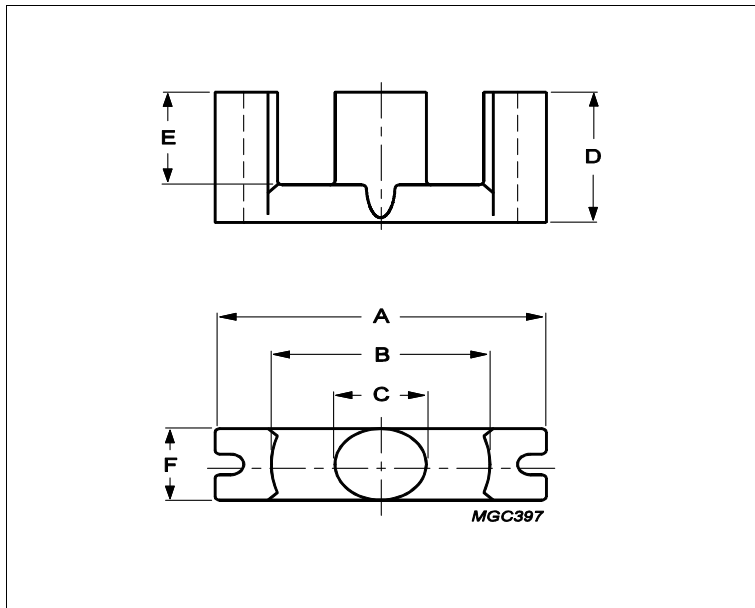


Core **EC70/34/17**



Effective parameters			
	Parameter	Value	Unit
$\Sigma(I/A)$	core factor (C1)	0.514	mm ⁻¹
Ve	effective volume	40100	mm ³
Le	effective length	144	mm
Ae	effective area	279	mm ²
Amin	minimum area	211	mm ²
m	EC70/34/17	≈ 127	g/pcs

Dimensions for product: EC70/34/17						
	Nom	Tol +	Tol -	Max	Min	Unit
A					71.70	mm
B	44.50	1.20	1.20	45.70	43.30	mm
C	16.40	0.40	0.40	16.80	16.00	mm
D	34.50	0.15	0.15	34.65	34.35	mm
E	22.75	0.45	0.45	23.20	22.30	mm
F	16.40	0.40	0.40	16.80	16.00	mm

Inductance factor					
Material	Value	Tol +	Tol -	Unit	
3C91	6100	25%	25%	nH/turns ²	
3C94	3900	25%	25%	nH/turns ²	

Power loss: 3C91					
Measuring conditions			Max	Unit	
100 kHz	200 mT	60 °C	20.000	W/set	
Power loss: 3C94					
Measuring conditions			Max	Unit	
100 kHz	200 mT	100 °C	20.000	W/set	

Bsat					
Measuring conditions			Material	Min	Unit
25 kHz	250 A/m	100 °C	3C91	320	mT
25 kHz	250 A/m	100 °C	3C94	320	mT

Core **EC70/34/17**

Accessories		
Ordering name	Description	Ordering code
BPL4-EC70-C	Base plate, 4 holes	432202127241
CLM/U-EC70	Clump, U shape with thread	432202127231
CP-EC70-1S	Coil former, termoplastic	432202103731
PIN/H-EC	Insertable pins, horizontal	432202103741
PIN-EC	Insertable pins	432202103751